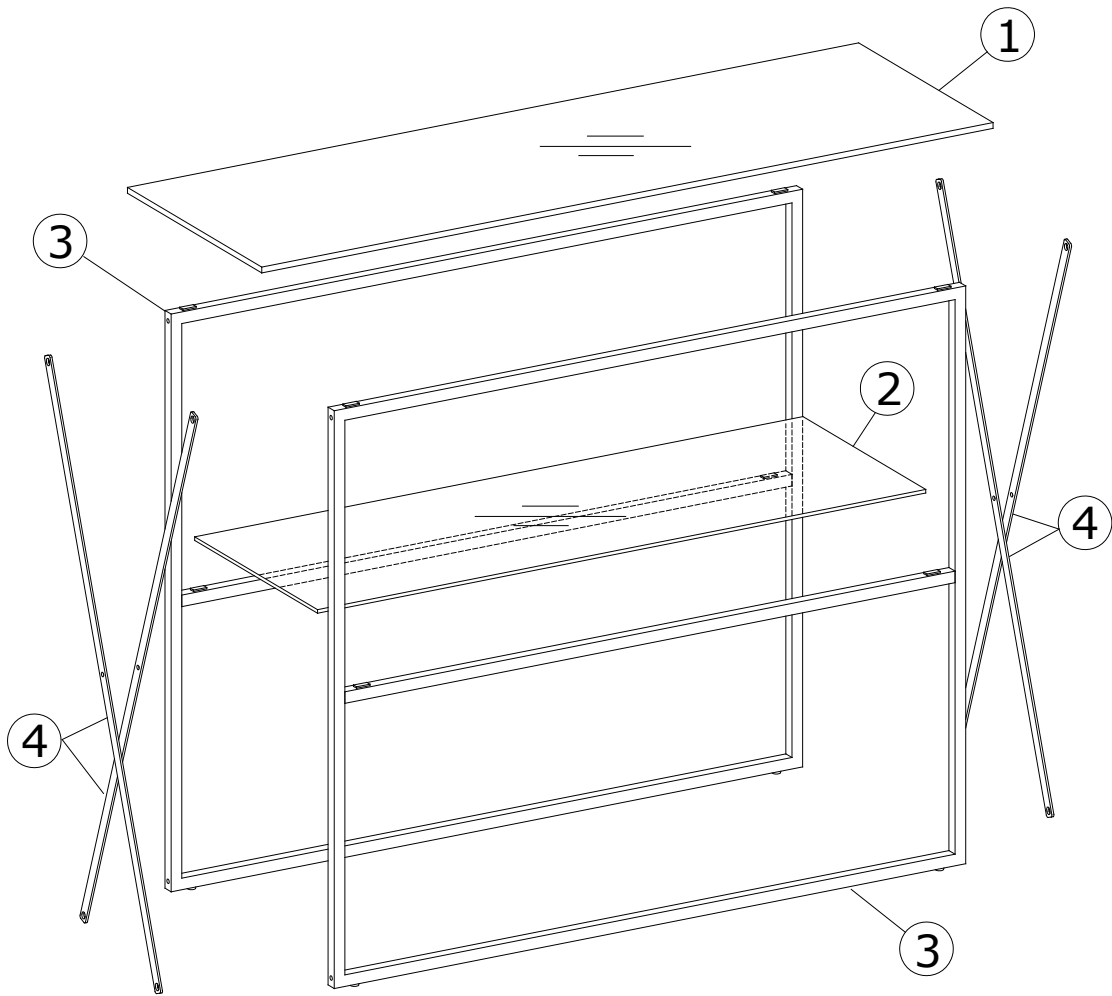
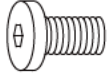
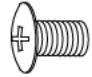






CROSS

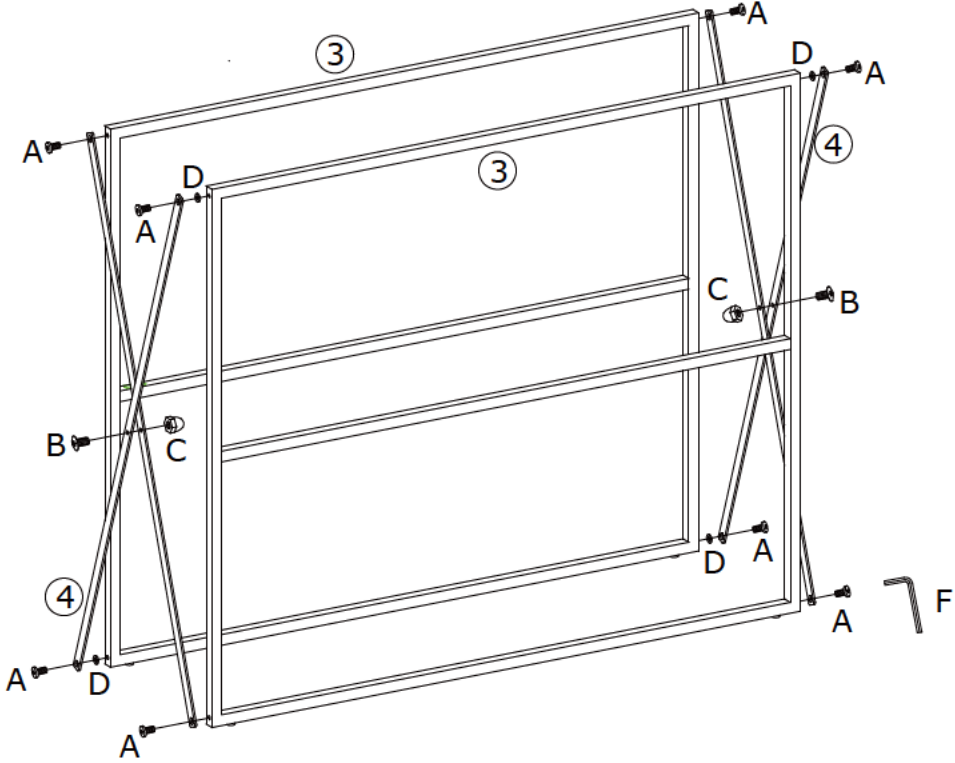




Part	Piece(s)	Dimensions LxWxT (mm)
1	1	1100x350x8
2	1	915x320x5
3	2	950x800x16
4	4	843x15x3

					
Ax8	Bx2	Cx2	Dx4	Ex8	Fx1

1



2

